

CERUS X-DRIVE ENCLOSED

1-100HP (200/208VAC), 1-125HP (230VAC),
1-500HP (460VAC), 1-500HP (575VAC), 3-Phase Input
UL Type 3R Enclosed VFD Panel

CERUS X-DRIVE

SPECIAL INSTRUCTIONS:

SIZING INFORMATION TABLES

Part Number	200/208VAC		
	HP	FLA	KAIC
CXD3R-ED0048-2V	1	4.8	100
CXD3R-ED0069-2V	1.5	6.9	100
CXD3R-ED0078-2V	2	7.8	100
CXD3R-ED0110-2V	3	11	100
CXD3R-ED0175-2V	5	17.5	100
CXD3R-ED0253-2V	7.5	25.3	100
CXD3R-ED0322-2V	10	32.2	100
CXD3R-ED0483-2V	15	48.3	100
CXD3R-ED0621-2V	20	62.1	100
CXD3R-ED0782-2V	25	78.2	100
CXD3R-ED0920-2V	30	92	100
CXD3R-ED1200-2V	40	120	100
CXD3R-ED1500-2V	50	150	100
CXD3R-ED1770-2V	60	177	100
CXD3R-ED2210-2V	75	221	100
CXD3R-ED2850-2V	100	285	100

Part Number	230VAC		
	HP	FLA	KAIC
CXD3R-ED0042-2V	1	4.2	100
CXD3R-ED0060-2V	1.5	6	100
CXD3R-ED0068-2V	2	6.8	100
CXD3R-ED0096-2V	3	9.6	100
CXD3R-ED0152-2V	5	15.2	100
CXD3R-ED0220-2V	7.5	22	100
CXD3R-ED0280-2V	10	28	100
CXD3R-ED0420-2V	15	42	100
CXD3R-ED0540-2V	20	54	100
CXD3R-ED0680-2V	25	68	100
CXD3R-ED0800-2V	30	80	100
CXD3R-ED1040-2V	40	104	100
CXD3R-ED1300-2V	50	130	100
CXD3R-ED1540-2V	60	154	100
CXD3R-ED1920-2V	75	192	100
CXD3R-ED2480-2V	100	248	100
CXD3R-ED3120-2V	125	312	100

Factory Options
Panel Disconnect
Start/Stop Push Buttons (in lieu of HOA Switch)
Fault Pilot Light (Red)
Run Pilot Light (Green)
Speed Potentiometer
Emergency Stop Push Button
Door-Mounted Keypad with Pad-lockable Cover
Ethernet IP and Modbus TCP/IP Comms. Card
3% Line Reactor
5% Line Reactor
Output Reactor ¹
dV/dT Filter ²
EMI/RFI Filter
Surge Suppressor
Panel Space Heater
Free-standing Foot Kit ³

Part Number	460VAC		
	HP	FLA	KAIC
CXD3R-ED0021-4V	1	2.1	100
CXD3R-ED0030-4V	1.5	3	100
CXD3R-ED0034-4V	2	3.4	100
CXD3R-ED0048-4V	3	4.8	100
CXD3R-ED0076-4V	5	7.6	100
CXD3R-ED0110-4V	7.5	11	100
CXD3R-ED0140-4V	10	14	100
CXD3R-ED0210-4V	15	21	100
CXD3R-ED0270-4V	20	27	100
CXD3R-ED0340-4V	25	34	100
CXD3R-ED0400-4V	30	40	100
CXD3R-ED0520-4V	40	52	100
CXD3R-ED0650-4V	50	65	100
CXD3R-ED0770-4V	60	77	100
CXD3R-ED0960-4V	75	96	100
CXD3R-ED1240-4V	100	124	100
CXD3R-ED1560-4V	125	156	100
CXD3R-ED1800-4V	150	180	100
CXD3R-ED2400-4V	200	240	100
CXD3R-ED3020-4V	250	302	100
CXD3R-ED3610-4V	300	361	100
CXD3R-ED4140-4V	350	414	100
CXD3R-ED4770-4V	400	477	100
CXD3R-ED5150-4V	450	515	100
CXD3R-ED5900-4V	500	590	100

Part Number	575 V		
	HP	FLA	KAIC
CXD3R-ED0017-6V	1	1.7	100
CXD3R-ED0024-6V	1.5	2.4	100
CXD3R-ED0027-6V	2	2.7	100
CXD3R-ED0039-6V	3	3.9	100
CXD3R-ED0061-6V	5	6.1	100
CXD3R-ED0090-6V	7.5	9	100
CXD3R-ED0110-6V	10	11	100
CXD3R-ED0170-6V	15	17	100
CXD3R-ED0220-6V	20	22	100
CXD3R-ED0270-6V	25	27	100
CXD3R-ED0320-6V	30	32	100
CXD3R-ED0410-6V	40	41	100
CXD3R-ED0520-6V	50	52	100
CXD3R-ED0620-6V	60	62	100
CXD3R-ED0770-6V	75	77	100
CXD3R-ED0990-6V	100	99	100
CXD3R-ED1250-6V	125	125	100
CXD3R-ED1440-6V	150	144	100
CXD3R-ED1920-6V	200	192	100
CXD3R-ED2420-6V	250	242	100
CXD3R-ED2890-6V	300	289	100
CXD3R-ED3360-6V	350	336	100
CXD3R-ED3820-6V	400	382	100
CXD3R-ED4120-6V	450	412	100
CXD3R-ED4720-6V	500	472	100

¹ Available for 460VAC models only.

² Available for 480 and 575VAC models only.

³ The free-standing foot kit adds an additional 12 inches of height to the enclosure dimensions. Please use the dimension sizing table titled 'UL Type 3R (w/ Free-Standing Foot Kit)' table to find your panel's enclosure dimensions.



SPECIFICATION TABLE

Cooling method		Forced air cooling by internal fans									
Short Circuit Rating		100kA									
Agency Approvals		UL and cUL listed, CE marked									
Motor Controls	Control Methods	200/208/230VAC and 460VAC models: V/F control, SVC (Sensorless Vector Control) 575/690VAC models: V/F and SVC									
	Control Type	PWM (Pulse Width Modulation)									
	Frequency Setting Resolution	Digital Reference: 0.01 Hz (Below 100 Hz), 0.1 Hz (Over 100 Hz) Analog Reference: [Max. output frequency]x 0.03/60Hz (±11 bit)									
	Frequency Accuracy	Digital: 0.01 % of Max. Output Frequency Analog: 0.1 % of Max. Output Frequency									
	V/F Control Curve	12 preset V/F curves and four-point square curve									
	Speed Control Ratio	1:12 (5Hz-60Hz) at 60Hz maximum frequency									
	Maximum Output Frequency	200/208/230VAC models: 599Hz (55kW and above: 400Hz); 460VAC models: 599Hz (90kW and above: 400Hz); 575/690VAC models: 599Hz									
	Overload Capacity	Variable Torque: 120% of VFD rated current for 1 minute during every 5 minutes of operation. Constant Torque: 150% of VFD rated current for 1 minute during every 5 minutes of operation and 160% for 3 seconds during every 25 seconds of operation.									
	Starting Torque	Up to 150% or higher at 0.5Hz (Torque Accuracy ±5%).									
	Torque Limit (Stall level)	Variable Torque: Max. 130% torque current; Constant Torque: Max. 160% torque current									
Operation	Operation Method	Keypad / Terminals / Communication (Built-in Modbus and BACnet)									
	Frequency Setting	Two Analog Inputs 0- 10VDC/ 4- 20mA and One AI 0-10VDC. Digital: Keypad or Communication									
	By Digital Inputs	Start Signal	Forward, Reverse and Jog (some features can start and stop VFD based on analog signal).								
		Digital Inputs	8 programmable digital inputs can be set to any selection from long list of functions.								
		Multi-Step	Up to 17 Speeds can be set including Jog by Programmable Digital Inputs.								
		Accel/Decel Time and Presets	0.00- 600.00/0.0- 6000.0 seconds. Three ACC/DEC preset values switched by digital inputs or one by frequency. Additional adjustable Accel/Decel S-Curve pattern.								
		Emergency Stop	Ext. Trip and Shutdown immediately interrupt VFD output in any control method.								
		Jog	Jog operation with adjustable Jog frequency.								
		Fault Reset	Resets VFD faults via keypad, digital input or communication. Some critical faults can only be reset by cycling the VFD power.								
	Safety Inputs	SCM and STO terminals for safety circuit wiring.									
Outputs	Three Multi-Function Relays	One relay with Form C: 250VAC 3A/30VDC 3A contact; Two relays with Form A: 250VAC 1.2A/30VDC 3A. Each relay can be programmed to any selection from the functions list.									
	Two Analog Outputs	Selections: Output Frequency, Output Current, Output Voltage, Output kW, DC Link Voltage, V1 or I input signal level. Both outputs are 0-10VDC scalable from 10 to 200%.									
General Operation Functions		DC Braking, Frequency Limit, Jump Frequencies, 2nd ACC/DEC, Auto Restart, Auto-Tuning, PID w/sleep, Flying Start, Speed Search, DC Braking, Slip Compensation, Motor Pre-heat, Temperature Foldback, Damper Control, Fireman's Override, Shutdown, etc.									
Pump Operation Functions/Protections		Pipe Fill, 2nd PID, Trigger by AI, Overpressure, ULD (Underload), HLD (High Load), Dual Demand, Pipe Leak, Broken Pipe, MMC, Multi-VFD with Lead/Lag/Standby and Jokey, Transducer redundancy, Lubrication, Screen Clean, etc.									
Protection	VFD Fault Trips	Over Voltage, Low Voltage, Over Current, Overload, Short Circuit, Ground Fault, VFD Overheat, Input Phase Loss, Output Phase Open, CPU Communication Error, Signal Loss, Hardware Fault, etc.									
	Motor Overload	Adjustable electronic motor overload protection.									
	Overcurrent	200/208/230/460VAC Variable Torque: At 200% of VFD rated current, 200/208/230/460VAC Constant Torque: At 240% of VFD rated current, Current clamp: Variable Torque: 130- 135%, Constant Torque 170- 175% 575/690VAC models: At 225% VFD rated current Current clamp: Variable Torque: 128- 141%, Constant Torque: 170- 175%									
	Overvoltage	230VAC models: At 410VDC DC bus voltage 460VAC models: At 820VDC DC bus voltage 575VAC models: At 1016VDC DC bus voltage 690VAC models: At 1189VDC DC bus voltage									
	Overtemperature	Built-in IGBT and Capacitor Bank temperature sensors									
	Restart After IPF	Adjustable power loss duration up to 20 sec. Leakage current is greater than 50% of rated current of the drive.									
	VFD Alarm	Stall Prevention at ACC and DEC, Overload, Thermal Sensor Fault, Capacitors High Temperature, Signal Loss, Overpressure, Underload, High Load, etc.									
Keypad Display	Operation Information	Output Frequency, Output Current, Output Voltage, Frequency Reference, Operating Speed, DC Voltage, kWattmeter, Run-time, Last Trip Time, Pressure, etc.									
	Fault History	The VFD stores 5 last faults.									
Environment	Operating Temperature	NEMA 1: 14°F - 104°F (-10°C - 40°C), Open Type: 14°F - 122°F (-10°C - 50°C)									
	Storage Temperature	-13°F - 158°F (-25°C - 70°C)									
	Ambient Humidity	Up to 95% RH. (Non-Condensing)									
	Altitude	Normal up to 3,300ft (1,000m). At altitude up to 2,000 m, de-rate by 1% of rated current or lower 0.5 °C of temperature for every 100m above 1,000m. Maximum altitude for Corner Grounded TN system is 2,000m. For application over 2,000m, please contact FELE for more details.									
	Vibration and Impact	1mm peak to peak value from 2Hz to 13.2Hz; 0.7G- 1.0G from 13.2Hz to 55Hz; 1.0G from 55Hz to 512Hz. Comply with IEC 60068-2-6 and IEC/EN60068-2-27.									
Environmental Conditions		Pollution degree 2. No Corrosive Gas, Combustible Gas, Oil Mist or Dust. IEC60721-3-3/ IEC60364-1/ IEC60664-1									
Input Efficiency (>= %)	Drive Frame		Frame A	Frame B	Frame C	Frame D0	Frame D	Frame E	Frame F	Frame G	Frame H
	Input Voltage	200/208/230VAC	96	96.5	96.5	-	97	97	-	-	-
		460VAC	96	96.5	96.5	97	97	97	97	97.5	97.5
		575VAC	97	98	97	-	97	97	97	98	98

SUBMITTED EQUIPMENT SCHEDULE

QTY	Tag	Part #	HP	Voltage	Phase	Communication Card
	Panel Disconnect	Door-Mounted Keypad		Start/Stop Push Button (in lieu of an HOA)		Speed Potentiometer
	Run Pilot Light (Green)	Fault Pilot Light (Red)		Emergency Stop Push Button		Surge Suppressor
	Line Reactor	Output Reactor ¹ , or dV/dT Filter ²				EMI/RFI Filter
	Panel Space Heater	Free-Standing Foot Kit (12") ³				

QTY	Tag	Part #	HP	Voltage	Phase	Communication Card
	Panel Disconnect	Door-Mounted Keypad		Start/Stop Push Button (in lieu of an HOA)		Speed Potentiometer
	Run Pilot Light (Green)	Fault Pilot Light (Red)		Emergency Stop Push Button		Surge Suppressor
	Line Reactor	Output Reactor ¹ , or dV/dT Filter ²				EMI/RFI Filter
	Panel Space Heater	Free-Standing Foot Kit (12") ³				

QTY	Tag	Part #	HP	Voltage	Phase	Communication Card
	Panel Disconnect	Door-Mounted Keypad		Start/Stop Push Button (in lieu of an HOA)		Speed Potentiometer
	Run Pilot Light (Green)	Fault Pilot Light (Red)		Emergency Stop Push Button		Surge Suppressor
	Line Reactor	Output Reactor ¹ , or dV/dT Filter ²				EMI/RFI Filter
	Panel Space Heater	Free-Standing Foot Kit (12") ³				

QTY	Tag	Part #	HP	Voltage	Phase	Communication Card
	Panel Disconnect	Door-Mounted Keypad		Start/Stop Push Button (in lieu of an HOA)		Speed Potentiometer
	Run Pilot Light (Green)	Fault Pilot Light (Red)		Emergency Stop Push Button		Surge Suppressor
	Line Reactor	Output Reactor ¹ , or dV/dT Filter ²				EMI/RFI Filter
	Panel Space Heater	Free-Standing Foot Kit (12") ³				

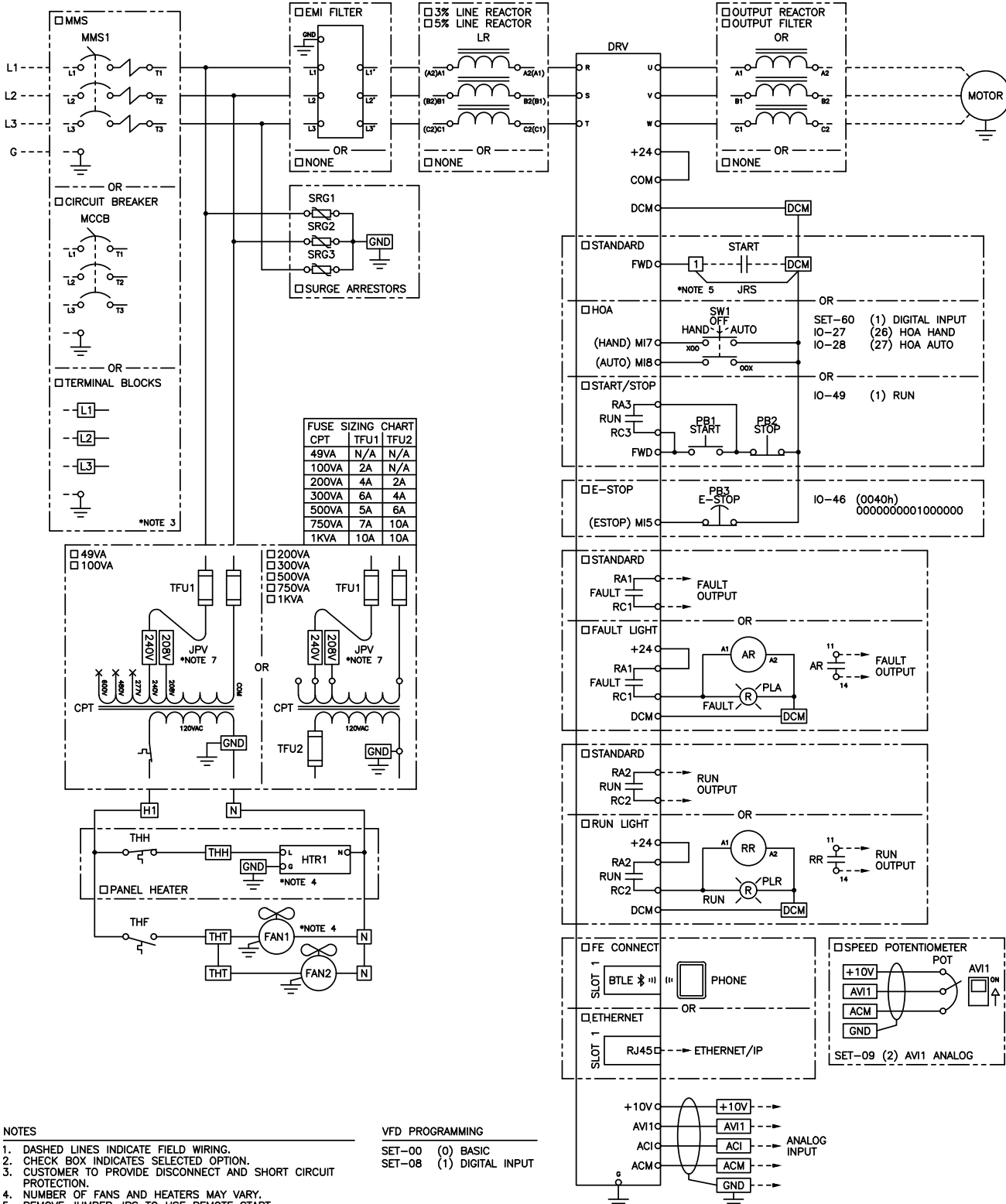
¹ Available for 480 V models only.

² Available for 480 and 575V models only.

³ The free-standing foot kit adds 12" additional inches of height to the enclosure dimensions. Please use to the dimension sizing table titled UL Type 3R (w/ Free-Standing Foot Kit) to find your panel's enclosure dimensions.

WIRING DIAGRAMS

200/208/230VAC



NOTES

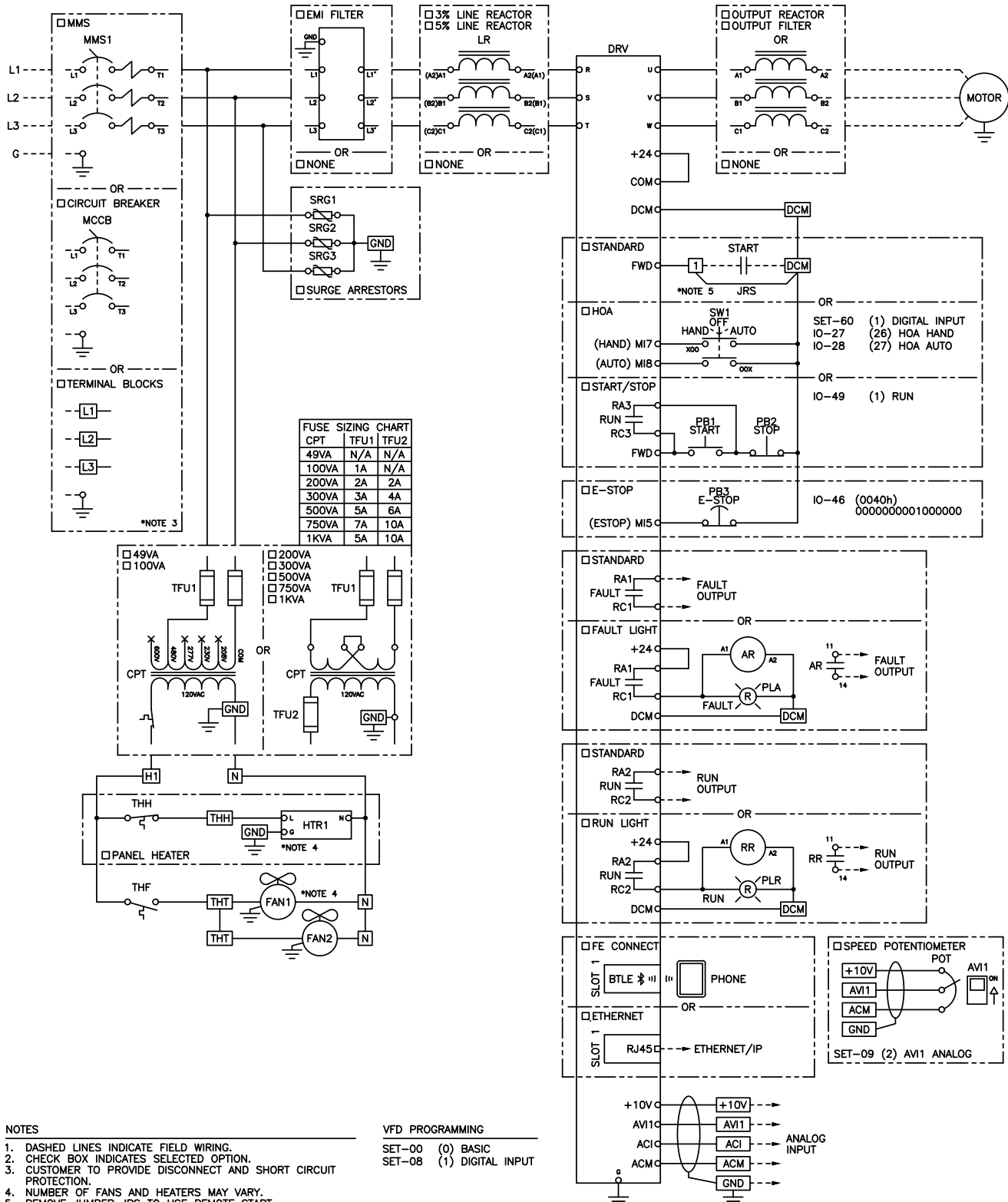
1. DASHED LINES INDICATE FIELD WIRING.
2. CHECK BOX INDICATES SELECTED OPTION.
3. CUSTOMER TO PROVIDE DISCONNECT AND SHORT CIRCUIT PROTECTION.
4. NUMBER OF FANS AND HEATERS MAY VARY.
5. REMOVE JUMPER JRS TO USE REMOTE START.

VFD PROGRAMMING

- | | |
|--------|-------------------|
| SET-00 | (0) BASIC |
| SET-08 | (1) DIGITAL INPUT |

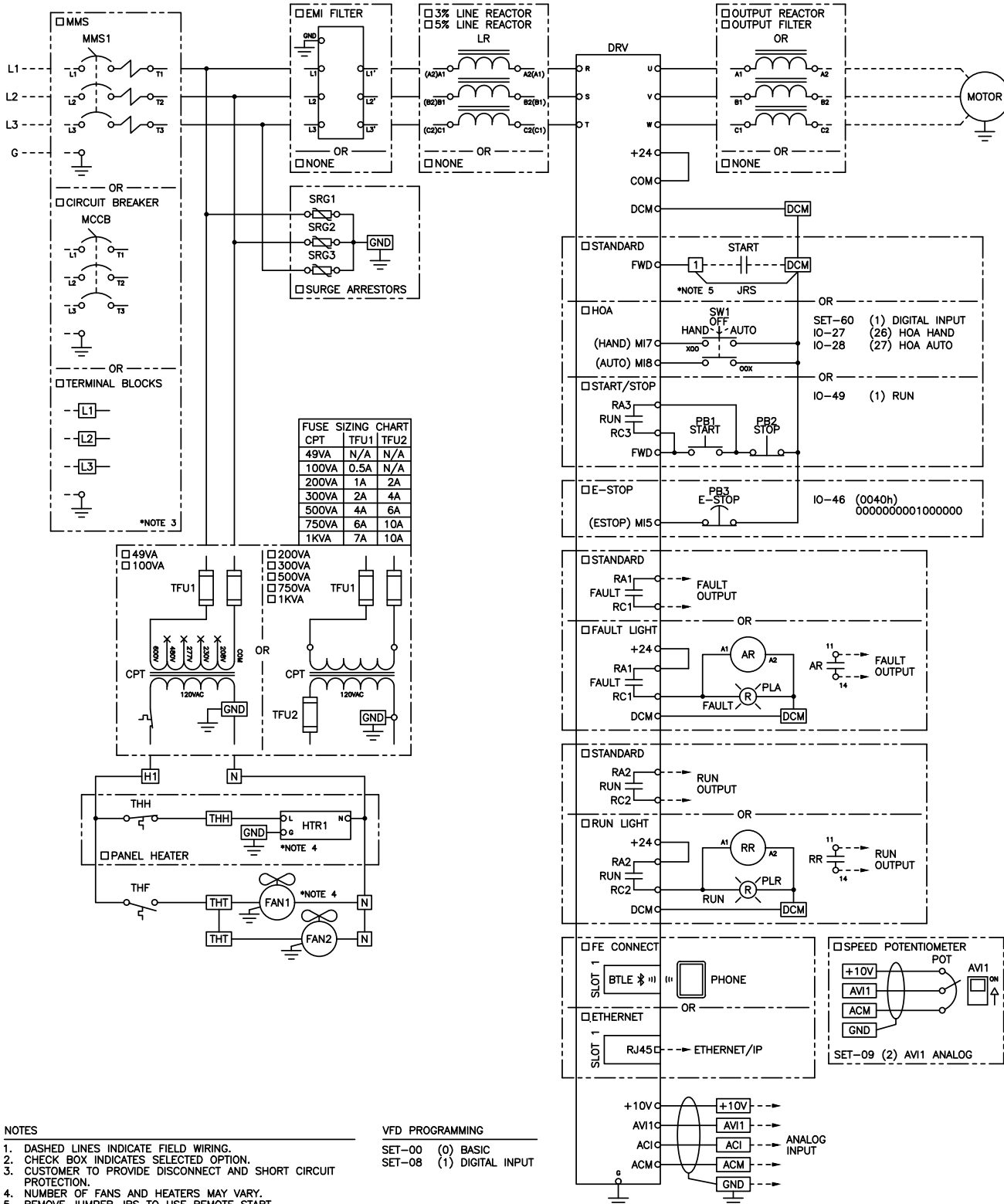
WIRING DIAGRAMS

460VAC



WIRING DIAGRAMS

575VAC

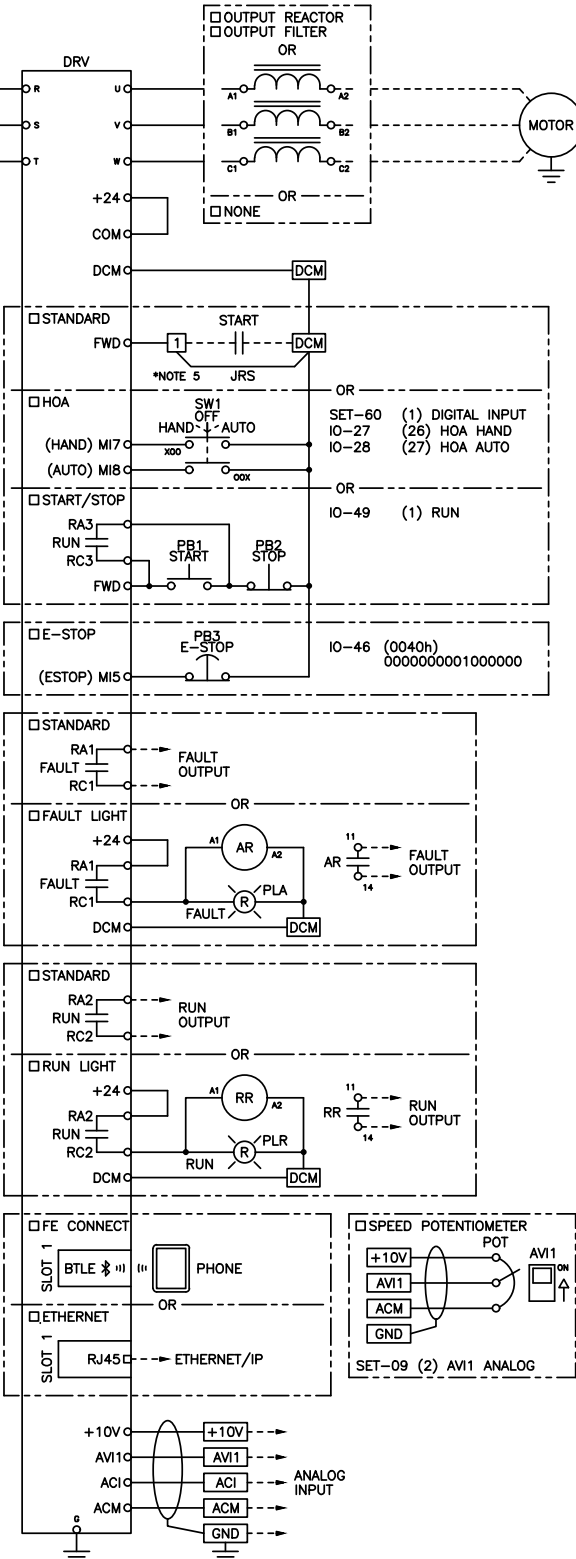


NOTES

1. DASHED LINES INDICATE FIELD WIRING.
2. CHECK BOX INDICATES SELECTED OPTION.
3. CUSTOMER TO PROVIDE DISCONNECT AND SHORT CIRCUIT PROTECTION.
4. NUMBER OF FANS AND HEATERS MAY VARY.
5. REMOVE JUMPER JRS TO USE REMOTE START.

VFD PROGRAMMING

- SET-00 (0) BASIC
- SET-08 (1) DIGITAL INPUT



PANEL VFD SPECIFICATIONS

The following section details the Cerus X-Drive VFD model of the panel. To locate the VFD part number for your Enclosed X-Drive panel, reference the information table below.

200/208VAC X-Drive Panel		230VAC X-Drive Panel		460VAC X-Drive Panel		575VAC X-Drive Panel	
Panel Part Number	VFD Part Number	Panel Part Number	VFD Part Number	Panel Part Number	VFD Part Number	Panel Part Number	VFD Part Number
CXD3R-ED0048-2V	CXD-005A-2V	CXD3R-ED0042-2V	CXD-005A-2V	CXD3R-ED0021-4V	CXD-003A-4V	CXD3R-ED0017-6V	CXD-003A-6V
CXD3R-ED0069-2V	CXD-007A-2V	CXD3R-ED0060-2V	CXD-007A-2V	CXD3R-ED0030-4V	CXD-003A-4V	CXD3R-ED0024-6V	CXD-003A-6V
CXD3R-ED0078-2V	CXD-010A-2V	CXD3R-ED0068-2V	CXD-010A-2V	CXD3R-ED0034-4V	CXD-004A-4V	CXD3R-ED0027-6V	CXD-003A-6V
CXD3R-ED0110-2V	CXD-015A-2V	CXD3R-ED0096-2V	CXD-015A-2V	CXD3R-ED0048-4V	CXD-005A-4V	CXD3R-ED0039-6V	CXD-004A-6V
CXD3R-ED0175-2V	CXD-021A-2V	CXD3R-ED0152-2V	CXD-021A-2V	CXD3R-ED0076-4V	CXD-008A-4V	CXD3R-ED0061-6V	CXD-009A-6V
CXD3R-ED0253-2V	CXD-031A-2V	CXD3R-ED0220-2V	CXD-031A-2V	CXD3R-ED0110-4V	CXD-010A-4V	CXD3R-ED0090-6V	CXD-009A-6V
CXD3R-ED0322-2V	CXD-046A-2V	CXD3R-ED0280-2V	CXD-031A-2V	CXD3R-ED0140-4V	CXD-013A-4V	CXD3R-ED0110-6V	CXD-012A-6V
CXD3R-ED0483-2V	CXD-061A-2V	CXD3R-ED0420-2V	CXD-046A-2V	CXD3R-ED0210-4V	CXD-018A-4V	CXD3R-ED0170-6V	CXD-018A-6V
CXD3R-ED0621-2V	CXD-075A-2V	CXD3R-ED0540-2V	CXD-061A-2V	CXD3R-ED0270-4V	CXD-024A-4V	CXD3R-ED0220-6V	CXD-024A-6V
CXD3R-ED0782-2V	CXD-090A-2V	CXD3R-ED0680-2V	CXD-075A-2V	CXD3R-ED0340-4V	CXD-032A-4V	CXD3R-ED0270-6V	CXD-030A-6V
CXD3R-ED0920-2V	CXD-105A-2V	CXD3R-ED0800-2V	CXD-090A-2V	CXD3R-ED0400-4V	CXD-038A-4V	CXD3R-ED0320-6V	CXD-036A-6V
CXD3R-ED1200-2V	CXD-146A-2V	CXD3R-ED1040-2V	CXD-105A-2V	CXD3R-ED0520-4V	CXD-045A-4V	CXD3R-ED0410-6V	CXD-045A-6V
CXD3R-ED1500-2V	CXD-180A-2V	CXD3R-ED1300-2V	CXD-146A-2V	CXD3R-ED0650-4V	CXD-060A-4V	CXD3R-ED0520-6V	CXD-054A-6V
CXD3R-ED1770-2V	CXD-215A-2V	CXD3R-ED1540-2V	CXD-180A-2V	CXD3R-ED0770-4V	CXD-073A-4V	CXD3R-ED0620-6V	CXD-067A-6V
CXD3R-ED2210-2V	CXD-276A-2V	CXD3R-ED1920-2V	CXD-215A-2V	CXD3R-ED0960-4V	CXD-091A-4V	CXD3R-ED0770-6V	CXD-086A-6V
CXD3R-ED2850-2V	CXD-322A-2V	CXD3R-ED2480-2V	CXD-276A-2V	CXD3R-ED1240-4V	CXD-110A-4V	CXD3R-ED0990-6V	CXD-104A-6V
-	-	CXD3R-ED3120-2V	CXD-322A-2V	CXD3R-ED1560-4V	CXD-150A-4V	CXD3R-ED1250-6V	CXD-125A-6V
-	-	-	-	CXD3R-ED1800-4V	CXD-180A-4V	CXD3R-ED1440-6V	CXD-150A-6V
-	-	-	-	CXD3R-ED2400-4V	CXD-220A-4V	CXD3R-ED1920-6V	CXD-180A-6V
-	-	-	-	CXD3R-ED3020-4V	CXD-260A-4V	CXD3R-ED2420-6V	CXD-220A-6V
-	-	-	-	CXD3R-ED3610-4V	CXD-310A-4V	CXD3R-ED2890-6V	CXD-290A-6V
-	-	-	-	CXD3R-ED4140-4V	CXD-370A-4V	CXD3R-ED3360-6V	CXD-350A-6V
-	-	-	-	CXD3R-ED4770-4V	CXD-460A-4V	CXD3R-ED3820-6V	CXD-430A-6V
-	-	-	-	CXD3R-ED5150-4V	CXD-530A-4V	CXD3R-ED4120-6V	CXD-465A-6V
-	-	-	-	CXD3R-ED5900-4V	CXD-616A-4V	CXD3R-ED4720-6V	CXD-590A-6V

DISCONNECT SPECIFICATIONS

The following section details the optional MCP Disconnect sizing and ratings. To locate the part number for your Enclosed Cerus X-Drive panel, reference the sizing information table below.

200/208VAC X-Drive Panel		230VAC X-Drive Panel		460VAC X-Drive Panel		575VAC X-Drive Panel	
Panel Part Number	Disconnect Part Number	Panel Part Number	Disconnect Part Number	Panel Part Number	Disconnect Part Number	Panel Part Number	Disconnect Part Number
CXD3R-ED0048-2V	CMS-32HI-6	CXD3R-ED0042-2V	CMS-32HI-6	CXD3R-ED0021-4V	CMS-32HI-2.5	CXD3R-ED0017-6V	CMS-32HI-2.5
CXD3R-ED0069-2V	CMS-32HI-8	CXD3R-ED0060-2V	CMS-32HI-6	CXD3R-ED0030-4V	CMS-32HI-4	CXD3R-ED0024-6V	CMS-32HI-2.5
CXD3R-ED0078-2V	CMS-32HI-8	CXD3R-ED0068-2V	CMS-32HI-8	CXD3R-ED0034-4V	CMS-32HI-4	CXD3R-ED0027-6V	CMS-32HI-4
CXD3R-ED0110-2V	CMS-32HI-13	CXD3R-ED0096-2V	CMS-32HI-10	CXD3R-ED0048-4V	CMS-32HI-6	CXD3R-ED0039-6V	CMS-32HI-4
CXD3R-ED0175-2V	CMS-32HI-22	CXD3R-ED0152-2V	CMS-32HI-17	CXD3R-ED0076-4V	CMS-32HI-8	CXD3R-ED0061-6V	CMS-32HI-8
CXD3R-ED0253-2V	CMS-32HI-26	CXD3R-ED0220-2V	CMS-32HI-22	CXD3R-ED0110-4V	CMS-32HI-13	CXD3R-ED0090-6V	CMS-32HI-10
CXD3R-ED0322-2V	CMS-32HI-40	CXD3R-ED0280-2V	CMS-32HI-32	CXD3R-ED0140-4V	CMS-32HI-17	CXD3R-ED0110-6V	CMS-32HI-13
CXD3R-ED0483-2V	CMS-63HI-50	CXD3R-ED0420-2V	CMS-63HI-50	CXD3R-ED0210-4V	CMS-32HI-22	CXD3R-ED0170-6V	CMS-32HI-17
CXD3R-ED0621-2V	CMS-63HI-63	CXD3R-ED0540-2V	CMS-63HI-63	CXD3R-ED0270-4V	CMS-32HI-32	CXD3R-ED0220-6V	CMS-32HI-22
CXD3R-ED0782-2V	CMS-100HI-90	CXD3R-ED0680-2V	CMS-100HI-75	CXD3R-ED0340-4V	CMS-32HI-40	CXD3R-ED0270-6V	CMS-32HI-32
CXD3R-ED0920-2V	CMS-100HI-100	CXD3R-ED0800-2V	CMS-100HI-90	CXD3R-ED0400-4V	CMS-63HI-40	CXD3R-ED0320-6V	CMS-32HI-32
CXD3R-ED1200-2V	UTS250NNU-FTU-200A	CXD3R-ED1040-2V	UTS250NNU-FTU-175A	CXD3R-ED0520-4V	CMS-63HI-63	CXD3R-ED0410-6V	CMS-63HI-32
CXD3R-ED1500-2V	UTS250NNU-FTU-225A	CXD3R-ED1300-2V	UTS250NNU-FTU-225A	CXD3R-ED0650-4V	CMS-100HI-75	CXD3R-ED0520-6V	CMS-63HI-63
CXD3R-ED1770-2V	UT400NNU-FTU-300A	CXD3R-ED1540-2V	UT400NNU-FTU-300A	CXD3R-ED0770-4V	CMS-100HI-90	CXD3R-ED0620-6V	CMS-63HI-63
CXD3R-ED2210-2V	UT400NNU-FTU-400A	CXD3R-ED1920-2V	UT400NNU-FTU-350A	CXD3R-ED0960-4V	CMS-100HI-100	CXD3R-ED0770-6V	CMS-100HI-90
CXD3R-ED2850-2V	UT600NNU-FTU-500A	CXD3R-ED2480-2V	UT600NNU-FTU-400A	CXD3R-ED1240-4V	UTS250NNU-FTU-225A	CXD3R-ED0990-6V	CMS-100HI-100
-	-	CXD3R-ED3120-2V	UT600NNU-FTU-600A	CXD3R-ED1560-4V	UTS250NNU-FTU-250A	CXD3R-ED1250-6V	UTS250NNU-FTU-225A
-	-	-	-	CXD3R-ED1800-4V	UT400NNU-FTU-300A	CXD3R-ED1440-6V	UTS250NNU-FTU-250A
-	-	-	-	CXD3R-ED2400-4V	UT400NNU-FTU-400A	CXD3R-ED1920-6V	UT400NNU-FTU-350A
-	-	-	-	CXD3R-ED3020-4V	UT600NNU-FTU-500A	CXD3R-ED2420-6V	UT400NNU-FTU-400A
-	-	-	-	CXD3R-ED3610-4V	UT600NNU-FTU-600A	CXD3R-ED2890-6V	UT600NNU-FTU-500A
-	-	-	-	CXD3R-ED4140-4V	UT800NNU-FTU-800A	CXD3R-ED3360-6V	UT600NNU-FTU-600A
-	-	-	-	CXD3R-ED4770-4V	UT800NNU-FTU-800A	CXD3R-ED3820-6V	UT600NNU-FTU-600A
-	-	-	-	CXD3R-ED5150-4V	UT800NNU-FTU-800A	CXD3R-ED4120-6V	UT800NNU-FTU-800A
-	-	-	-	CXD3R-ED5900-4V	UT1200NNU-FTU-1000A	CXD3R-ED4720-6V	UT800NNU-FTU-800A

Note: For VFD models with Disconnect models with prefix "CMS" see the uMCP Disconnect Sizing Table, for VFD models with Disconnect models with prefix "UTS" see the MCCP Disconnect Sizing Table.

MCP DISCONNECT SIZING TABLE

Frame Size	Part #	Rated operational current Ie (A)	Magnetic release operating current (A)	KAIC Ratings [kA]		
				230V	460V	575V
32AF	CMS-32HI-1.6	1.6	20.8	100	65	25
	CMS-32HI-2.5	2.5	32.5	100	65	25
	CMS-32HI-4	4	52	100	65	25
	CMS-32HI-6	6	78	100	65	25
	CMS-32HI-8	8	104	100	65	25
	CMS-32HI-10	10	130	100	65	25
	CMS-32HI-13	13	169	100	65	25
	CMS-32HI-17	17	221	100	50	10
	CMS-32HI-22	22	286	100	30	10
	CMS-32HI-26	26	338	100	30	10
63AF	CMS-32HI-32	32	416	100	30	10
	CMS-63HI-32	32	416	100	50	10
	CMS-63HI-40	40	520	100	50	10
	CMS-63HI-50	50	650	100	50	10
100AF	CMS-63HI-63	63	819	100	50	10
	CMS-100HI-75	75	975	100	50	10
	CMS-100HI-90	90	1170	100	50	10
	CMS-100HI-100	100	1300	100	50	10

MCCB DISCONNECT SIZING TABLE

Frame Size	Part #	Rated operational current Ie (A)	Magnetic release operating current (A)	KAIC Ratings [kA]		
				230V	460V	575V
250AF	UTS250NNU-FTU-175A	175	2000	65	35	18
	UTS250NNU-FTU-200A	200	2000	65	35	18
	UTS250NNU-FTU-225A	225	2500	65	35	18
	UT250NNU-FTU-250A	250	2500	65	35	18
400AF	UT400NNU-FTU-300A	300	3000	65	35	18
	UT400NNU-FTU-350A	350	4000	65	35	18
	UT400NNU-FTU-400A	400	4000	65	35	18
600AF	UT600NNU-FTU-500A	500	5000	65	35	18
	UT600NNU-FTU-600A	600	6000	65	35	18
800AF	UT800NNU-FTU-800A	800	8000	65	35	18
1200AF	UT1200NNU-FTU-1000A	1000	10000	65	35	18

CERUS X-DRIVE ENCLOSED DIMENSIONS

All measurements in inches

UL TYPE 3R

200/208VAC X-Drive Enclosed	H x W x D	230VAC X-Drive Enclosed	H x W x D		
CXD3R-ED0048-2V	36.5" x 26.0" x 16.375"	CXD3R-ED0042-2V	36.5" x 26.0" x 16.375"		
CXD3R-ED0069-2V					
CXD3R-ED0078-2V					
CXD3R-ED0110-2V					
CXD3R-ED0175-2V					
CXD3R-ED0253-2V					
CXD3R-ED0322-2V					
CXD3R-ED0483-2V					
CXD3R-ED0621-2V		41.5" x 29.0" x 16.375"		CXD3R-ED0540-2V	41.5" x 29.0" x 16.375"
CXD3R-ED0782-2V					
CXD3R-ED0920-2V					
CXD3R-ED1200-2V	51.5" x 34.0" x 20.5"	CXD3R-ED1040-2V	46.5" x 29.0" x 16.375"		
CXD3R-ED1500-2V					
CXD3R-ED1770-2V	56.5" x 39.0" x 20.5"	CXD3R-ED1300-2V	51.5" x 34.0" x 20.5"		
CXD3R-ED2210-2V					
CXD3R-ED2480-2V					
CXD3R-ED3120-2V					

460VAC X-Drive Enclosed	H x W x D	575VAC X-Drive Enclosed	H x W x D	
CXD3R-ED0021-4V	36.5" x 26.0" x 16.375"	CXD3R-ED0017-6V	36.5" x 26.0" x 16.375"	
CXD3R-ED0030-4V				
CXD3R-ED0034-4V				
CXD3R-ED0048-4V				
CXD3R-ED0076-4V				
CXD3R-ED0110-4V				
CXD3R-ED0140-4V				
CXD3R-ED0210-4V				
CXD3R-ED0270-4V				
CXD3R-ED0340-4V				
CXD3R-ED0400-4V	41.5" x 29.0" x 16.375"	CXD3R-ED0320-6V	41.5" x 29.0" x 16.375"	
CXD3R-ED0520-4V				
CXD3R-ED0650-4V				
CXD3R-ED0770-4V	46.5" x 29.0" x 16.375"	CXD3R-ED0620-6V	51.5" x 34.0" x 20.5"	
CXD3R-ED0960-4V				
CXD3R-ED1240-4V	51.5" x 34.0" x 20.5"	CXD3R-ED0990-6V	51.5" x 34.0" x 20.5"	
CXD3R-ED1560-4V				
CXD3R-ED1800-4V	56.5" x 39.0" x 20.5"	CXD3R-ED1440-6V	56.5" x 39.0" x 20.5"	
CXD3R-ED2400-4V				
CXD3R-ED3020-4V		63" x 60" x 25"		CXD3R-ED2420-6V
CXD3R-ED3610-4V				
CXD3R-ED4140-4V	63" x 60" x 25"	CXD3R-ED3360-6V	93" x 72" x 25"	
CXD3R-ED4770-4V				
CXD3R-ED5150-4V				
CXD3R-ED5900-4V				

UL TYPE 3R (W/ FREE-STANDING FOOT KIT)

200/208VAC X-Drive Enclosed	H x W x D	230VAC X-Drive Enclosed	H x W x D		
CXD3R-ED0048-2V	48.5" x 26.0" x 16.375"	CXD3R-ED0042-2V	48.5" x 26.0" x 16.375"		
CXD3R-ED0069-2V					
CXD3R-ED0078-2V					
CXD3R-ED0110-2V					
CXD3R-ED0175-2V					
CXD3R-ED0253-2V					
CXD3R-ED0322-2V					
CXD3R-ED0483-2V					
CXD3R-ED0621-2V		53.5" x 29.0" x 16.375"		CXD3R-ED0540-2V	53.5" x 29.0" x 16.375"
CXD3R-ED0782-2V					
CXD3R-ED0920-2V					
CXD3R-ED1200-2V	63.5" x 34.0" x 20.5"	CXD3R-ED1040-2V	58.5" x 29.0" x 16.375"		
CXD3R-ED1500-2V					
CXD3R-ED1770-2V	68.5" x 39.0" x 20.5"	CXD3R-ED1300-2V	63.5" x 34.0" x 20.5"		
CXD3R-ED2210-2V					
CXD3R-ED2480-2V					
CXD3R-ED3120-2V					

460VAC X-Drive Enclosed	H x W x D	575VAC X-Drive Enclosed	H x W x D	
CXD3R-ED0021-4V	48.5" x 26.0" x 16.375"	CXD3R-ED0017-6V	48.5" x 26.0" x 16.375"	
CXD3R-ED0030-4V				
CXD3R-ED0034-4V				
CXD3R-ED0048-4V				
CXD3R-ED0076-4V				
CXD3R-ED0110-4V				
CXD3R-ED0140-4V				
CXD3R-ED0210-4V				
CXD3R-ED0270-4V				
CXD3R-ED0340-4V				
CXD3R-ED0400-4V	53.5" x 29.0" x 16.375"	CXD3R-ED0320-6V	53.5" x 29.0" x 16.375"	
CXD3R-ED0520-4V				
CXD3R-ED0650-4V				
CXD3R-ED0770-4V	58.5" x 29.0" x 16.375"	CXD3R-ED0620-6V	63.5" x 34.0" x 20.5"	
CXD3R-ED0960-4V				
CXD3R-ED1240-4V	63.5" x 34.0" x 20.5"	CXD3R-ED0990-6V	63.5" x 34.0" x 20.5"	
CXD3R-ED1560-4V				
CXD3R-ED1800-4V	68.5" x 39.0" x 20.5"	CXD3R-ED1440-6V	68.5" x 39.0" x 20.5"	
CXD3R-ED2400-4V				
CXD3R-ED3020-4V		75" x 60" x 25"		CXD3R-ED2420-6V
CXD3R-ED3610-4V				
CXD3R-ED4140-4V	75" x 60" x 25"	CXD3R-ED3360-6V	105" x 72" x 25"	
CXD3R-ED4770-4V				
CXD3R-ED5150-4V				
CXD3R-ED5900-4V				