

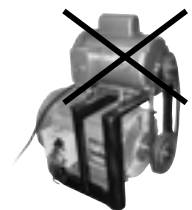
P-SERIES VFD (VARIABLE FREQUENCY DRIVE)

VARIABLE SPEED CONTROL IS JUST THE BEGINNING

Everyone knows variable frequency drives save you money by varying motor speed to match demand. Our automatic energy savings mode minimizes losses by optimizing the output power for higher efficiency. Under low load conditions, Sleep Mode deactivates the drive and its output – then awakens and reactivates output when demand rises to unlock additional savings. It also extends the life of the equipment.

STANDARD FEATURES (ENCLOSED DRIVES)

- Selectable V/F, sensorless vector control
- For outdoor and/or wash down applications
- Rainproof NEMA 3R enclosure reduces thermal absorption with white, solar reflective finish and filtered cooling fans
- Standard VFD package is rated for 110 °F ambient temperature in non-direct sunlight
- Additional application-specific protective devices included (i.e. line reactors, load reactors, and dV/dT filter)
- Franklin FastApp™ Firmware
 - Quick and easy set-up for submersible and centrifugal packages
 - Display uses pump specific terminology
- Pump Specific Protection and Features
 - Broken pipe detection
 - Dry-well/Underload detection with well refill timer
 - Pipe fill (Pre-PID) - VFD ramps up to Pre-PID frequency and fills pipes without pressurizing system and hydraulic surges
 - Sleep mode and wake up functions with pressure boost
 - Automatic energy savings mode
 - Flying start protection prevents trips, rough starts, and drive damage from regenerative power due to heavy inertia rotation
- Custom Packages Available
 - Alternative enclosure options (NEMA 1, NEMA 12, NEMA 4X)
 - Multi-motor/pump packages
 - Customizable control options



NO NEED FOR
ROTO-PHASE CONVERTERS!

P-SERIES VFD (VARIABLE FREQUENCY DRIVE)

EASY START-UP WITH FASTAPP PROGRAMMING

Franklin Control Systems drive packages come pre-programmed for submersible or surface motors with pre-set parameters based on your specific application. To watch a start-up video of the basic wiring and programming of a P-Series VFD for a submersible application, scan the QR code below or go to www.franklin-controls.com.

ANY JOB, ANY ENVIRONMENT

From corrosive environments to long motor leads to soaring temperatures, we can engineer a panel to fit nearly any application in any location. Our standard packages usually fit the bill, but if your job poses unique challenges, our engineers are up to the task.

1- TO 3-PHASE CONVERSION

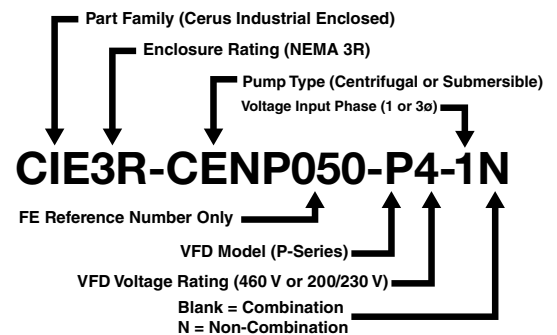
Franklin has solutions for 230 V or 460 V, 1Ø to 3Ø conversion - no need for a roto-phase converter and pump starter combo. By doubling the hp of your motor to size your VFD (20 hp motor = 40 hp VFD), the conversion is complete. All you need is one Franklin VFD.

NEW & IMPROVED FEATURES

- Alternating Lead-Lag Control - Two motors, no external PLC needed
- Dual Demand Control - Drive senses when to switch to second set point on applications feeding two systems
- Adaptive Dry Well Protection - Automatic determination of well recovery time
- Water Lubrication Timer
- Auxiliary Timer
- No Flow Protection
- Screen Cleaning
- Backspin Timer
- Pipe Leak (Cycling Protection)
- Speed Limit by VFD Temperature (to avoid overheat nuisance trips)
- Motor Overheat Protection
- Relay Activated by Analog Level
- Speed Limit by Well Water Level
- Two-transducer redundancy



PART NUMBER ANATOMY

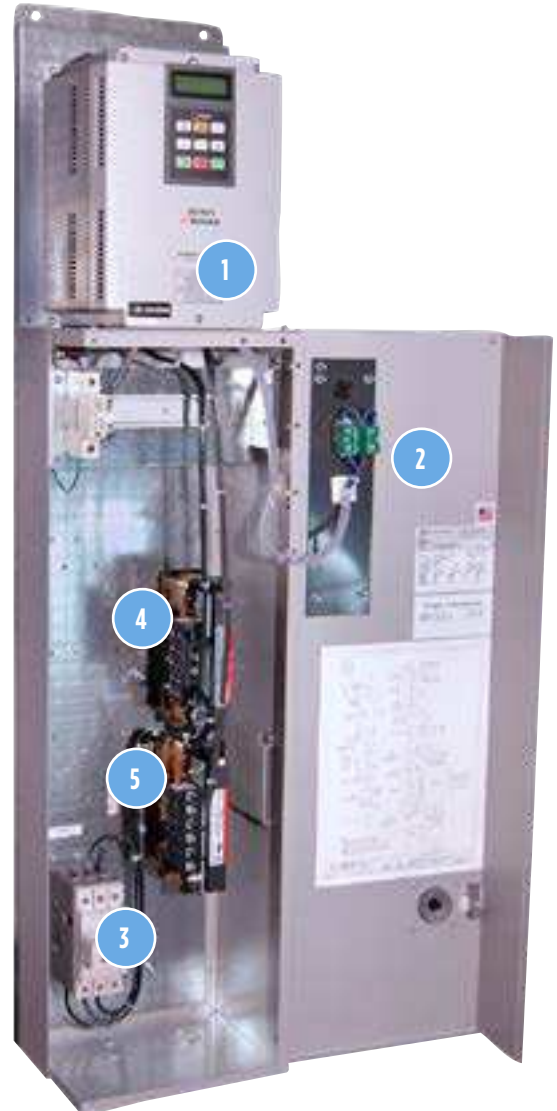


Scan for start-up video

P-SERIES VFD ENCLOSED - NEMA 1 LARGE DRIVE

SLIM SPACE-SAVING DESIGN

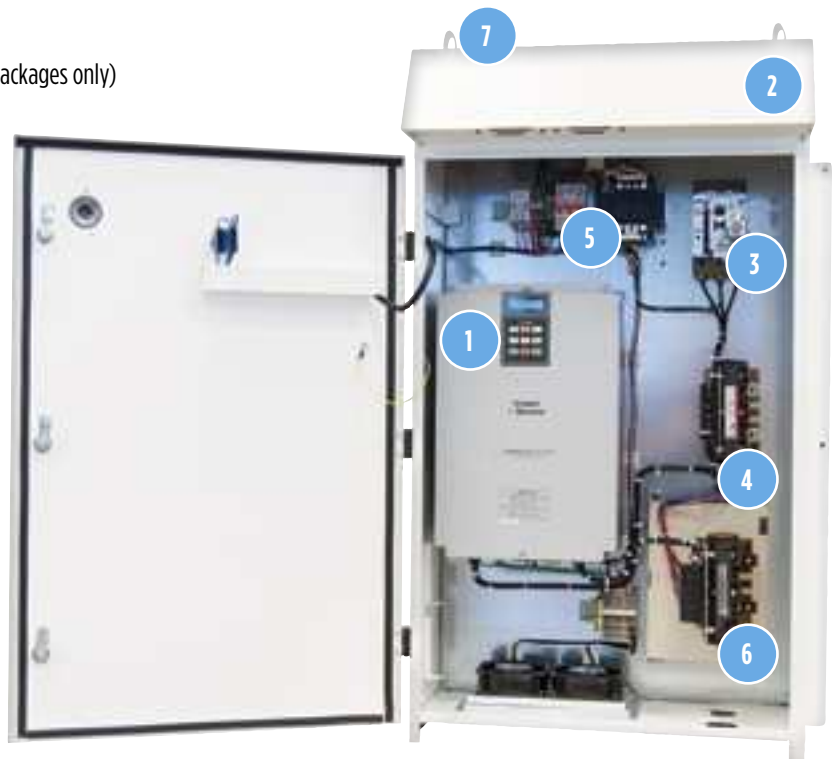
1. P-Series Pump Optimized VFD
 - 32-character keypad and pre-configured parameters for all common pump applications
2. Indoor NEMA 1 enclosure
3. Disconnect provides short circuit protection and eliminates call backs due to fuse issues
4. Line reactor enhances protection from transient surges and provides a degree of harmonic mitigation
5. Output filter for long motor leads (standard in submersible packages only)



P-SERIES VFD ENCLOSED - NEMA 3R LARGE DRIVE

DESIGNED TO WITHSTAND HARSH ENVIRONMENTS

1. P-Series Pump Optimized VFD
 - 32-character keypad and pre-configured parameters for all common pump applications
2. Rugged outdoor NEMA 3R enclosure with cooling fans and filtration
3. Circuit breaker disconnect eliminates call backs due to fuse issues
4. Line reactor enhances protection from transient surges and provides a degree of harmonic mitigation
5. Control power transformer with breaker protection
6. Output filter for long motor leads (standard in submersible packages only)
7. Eye-bolt lift kit comes standard



P-SERIES VFD ENCLOSED - ORDERING & SIZING INFORMATION

NEMA 1 LARGE DRIVE SUBMERSIBLES (COMBINATION)

Single-Phase & Three-Phase (200-230 V, 480 V), UL/NEMA 3R Enclosure

Voltage	HP	Max Amps	Model No.	Description
230 V, 1-Phase	1	5.5	CIE1-SUBP001-P2-1	NEMA 1, 1 HP 230 V, 1-PH, Upsized VFD, MCP, LR
	2	8	CIE1-SUBP002-P2-1	NEMA 1, 2 HP 230 V, 1-PH, Upsized VFD, MCP, LR
	3	12	CIE1-SUBP003-P2-1	NEMA 1, 3 HP 230 V, 1-PH, Upsized VFD, MCP, LR
	5	17.6	CIE1-SUBP005-P2-1	NEMA 1, 5 HP 230 V, 1-PH, Upsized VFD, MCP, LR
	7.5	25	CIE1-SUBP007-P2-1	NEMA 1, 7.5 HP 230 V, 1-PH, Upsized VFD, MCP, LR
	10	33	CIE1-SUBP010-P2-1	NEMA 1, 10 HP 230 V, 1-PH, Upsized VFD, MCP, LR
	15	48.6	CIE1-SUBP015-P2-1	NEMA 1, 15 HP 230 V, 1-PH, Upsized VFD, MCP, LR
	20	64	CIE1-SUBP020-P2-1	NEMA 1, 20 HP 230 V, 1-PH, Upsized VFD, MCP, LR
230 V, 3-Phase	2	8	CIE1-SUBP002-P2-3	NEMA 1, 2 HP 230 V, 3-PH, Upsized VFD, MCP, LR
	3	12	CIE1-SUBP003-P2-3	NEMA 1, 3 HP 230 V, 3-PH, Upsized VFD, MCP, LR
	5	19	CIE1-SUBP005-P2-3	NEMA 1, 5 HP 230 V, 3-PH, Upsized VFD, MCP, LR
	7.5	30	CIE1-SUBP007-P2-3	NEMA 1, 7.5 HP 230 V, 3-PH, Upsized VFD, MCP, LR
	10	40	CIE1-SUBP010-P2-3	NEMA 1, 10 HP 230 V, 3-PH, Upsized VFD, MCP, LR
	15	55	CIE1-SUBP015-P2-3	NEMA 1, 15 HP 230 V, 3-PH, Upsized VFD, MCP, LR
	20	74	CIE1-SUBP020-P2-3	NEMA 1, 20 HP 230 V, 3-PH, Upsized VFD, MCP, LR
	25	85	CIE1-SUBP025-P2-3	NEMA 1, 25 HP 230 V, 3-PH, Upsized VFD, MCP, LR
460 V, 1-Phase	30	100	CIE1-SUBP030-P2-3	NEMA 1, 30 HP 230 V, 3-PH, Upsized VFD, MCP, LR
	2	4	CIE1-SUBP002-P4-1	NEMA 1, 2 HP 460 V, 1-PH, Upsized VFD, MCP, LR, OF
	3	5.3	CIE1-SUBP003-P4-1	NEMA 1, 3 HP 460 V, 1-PH, Upsized VFD, MCP, LR, OF
	5	8.8	CIE1-SUBP005-P4-1	NEMA 1, 5 HP 460 V, 1-PH, Upsized VFD, MCP, LR, OF
	7.5	13.2	CIE1-SUBP007-P4-1	NEMA 1, 7.5 HP 460 V, 1-PH, Upsized VFD, MCP, LR, OF
	10	16.5	CIE1-SUBP010-P4-1	NEMA 1, 10 HP 460 V, 1-PH, Upsized VFD, MCP, LR, OF
	15	24.5	CIE1-SUBP015-P4-1	NEMA 1, 15 HP 460 V, 1-PH, Upsized VFD, MCP, LR, OF
	20	30.3	CIE1-SUBP020-P4-1	NEMA 1, 20 HP 460 V, 1-PH, Upsized VFD, MCP, LR, OF
	25	35.7	CIE1-SUBP025-P4-1	NEMA 1, 25 HP 460 V, 1-PH, Upsized VFD, MCP, LR, OF
	30	42.3	CIE1-SUBP030-P4-1	NEMA 1, 30 HP 460 V, 1-PH, Upsized VFD, MCP, LR, OF
460 V, 3-Phase	40	60.4	CIE1-SUBP040-P4-1	NEMA 1, 40 HP 460 V, 1-PH, Upsized VFD, MCP, LR, OF
	50	80	CIE1-SUBP050-P4-1	NEMA 1, 50 HP 460 V, 1-PH, Upsized VFD, MCP, LR, OF
	60	91	CIE1-SUBP060-P4-1	NEMA 1, 60 HP 460 V, 1-PH, Upsized VFD, MCP, LR, OF
	1	3	CIE1-SUBP001-P4-3	NEMA 1, 1 HP 460 V, 3-PH, Upsized VFD, MCP, LR, OF
	2	4	CIE1-SUBP002-P4-3	NEMA 1, 2 HP 460 V, 3-PH, Upsized VFD, MCP, LR, OF
	3	6	CIE1-SUBP003-P4-3	NEMA 1, 3 HP 460 V, 3-PH, Upsized VFD, MCP, LR, OF
	5	9.6	CIE1-SUBP005-P4-3	NEMA 1, 5 HP 460 V, 3-PH, Upsized VFD, MCP, LR, OF
	7.5	13	CIE1-SUBP007-P4-3	NEMA 1, 7.5 HP 460 V, 3-PH, Upsized VFD, MCP, LR, OF
	10	17	CIE1-SUBP010-P4-3	NEMA 1, 10 HP 460 V, 3-PH, Upsized VFD, MCP, LR, OF
	15	25	CIE1-SUBP015-P4-3	NEMA 1, 15 HP 460 V, 3-PH, Upsized VFD, MCP, LR, OF
	20	30	CIE1-SUBP020-P4-3	NEMA 1, 20 HP 460 V, 3-PH, Upsized VFD, MCP, LR, OF
	25	40	CIE1-SUBP025-P4-3	NEMA 1, 25 HP 460 V, 3-PH, Upsized VFD, MCP, LR, OF
	30	45	CIE1-SUBP030-P4-3	NEMA 1, 30 HP 460 V, 3-PH, Upsized VFD, MCP, LR, OF
	40	63	CIE1-SUBP040-P4-3	NEMA 1, 40 HP 460 V, 3-PH, Upsized VFD, MCP, LR, OF
50	77	CIE1-SUBP050-P4-3	NEMA 1, 50 HP 460 V, 3-PH, Upsized VFD, MCP, LR, OF	
60	100	CIE1-SUBP060-P4-3	NEMA 1, 60 HP 460 V, 3-PH, Upsized VFD, MCP, LR, OF	
75	110	CIE1-SUBP075-P4-3	NEMA 1, 75 HP 460 V, 3-PH, Upsized VFD, MCP, LR, OF	
100	150	CIE1-SUBP100-P4-3	NEMA 1, 100 HP 460 V, 3-PH, Upsized VFD, MCP, LR, OF	

P-SERIES VFD ENCLOSED - ORDERING & SIZING INFORMATION

NEMA 1 LARGE DRIVE SURFACE (COMBINATION)

Single-Phase & Three-Phase (200-230 V, 480 V), UL/NEMA 3R Enclosure

Voltage	HP	Max Amps	Model No.	Description
230 V, 1-Phase	1	5.5	CIEI-CENP001-P2-1	NEMA 1, 1 HP 230 V, 1-PH, Upsized VFD, MCP, LR
	2	8.1	CIEI-CENP002-P2-1	NEMA 1, 2 HP 230 V, 1-PH, Upsized VFD, MCP, LR
	3	10.5	CIEI-CENP003-P2-1	NEMA 1, 3 HP 230 V, 1-PH, Upsized VFD, MCP, LR
	5	17.6	CIEI-CENP005-P2-1	NEMA 1, 5 HP 230 V, 1-PH, Upsized VFD, MCP, LR
	7.5	25	CIEI-CENP007-P2-1	NEMA 1, 7.5 HP 230 V, 1-PH, Upsized VFD, MCP, LR
	10	33	CIEI-CENP010-P2-1	NEMA 1, 10 HP 230 V, 1-PH, Upsized VFD, MCP, LR
	15	48	CIEI-CENP015-P2-1	NEMA 1, 15 HP 230 V, 1-PH, Upsized VFD, MCP, LR
	20	63	CIEI-CENP020-P2-1	NEMA 1, 20 HP 230 V, 1-PH, Upsized VFD, MCP, LR
230 V, 3-Phase	2	10	CIEI-CENP002-P2-3	NEMA 1, 2 HP 230 V, 3-PH, Upsized VFD, MCP, LR
	3	12	CIEI-CENP003-P2-3	NEMA 1, 3 HP 230 V, 3-PH, Upsized VFD, MCP, LR
	5	17	CIEI-CENP005-P2-3	NEMA 1, 5 HP 230 V, 3-PH, Upsized VFD, MCP, LR
	7.5	24	CIEI-CENP007-P2-3	NEMA 1, 7.5 HP 230 V, 3-PH, Upsized VFD, MCP, LR
	10	32	CIEI-CENP010-P2-3	NEMA 1, 10 HP 230 V, 3-PH, Upsized VFD, MCP, LR
	15	46	CIEI-CENP015-P2-3	NEMA 1, 15 HP 230 V, 3-PH, Upsized VFD, MCP, LR
	20	60	CIEI-CENP020-P2-3	NEMA 1, 20 HP 230 V, 3-PH, Upsized VFD, MCP, LR
	25	74	CIEI-CENP025-P2-3	NEMA 1, 25 HP 230 V, 3-PH, Upsized VFD, MCP, LR
460 V, 1-Phase	30	88	CIEI-CENP030-P2-3	NEMA 1, 30 HP 230 V, 3-PH, Upsized VFD, MCP, LR
	40	115	CIEI-CENP040-P2-3	NEMA 1, 40 HP 230 V, 3-PH, Upsized VFD, MCP, LR
	2	4.4	CIEI-CENP002-P4-1	NEMA 1, 2 HP 460 V, 1-PH, Upsized VFD, MCP, LR
	3	5.3	CIEI-CENP003-P4-1	NEMA 1, 3 HP 460 V, 1-PH, Upsized VFD, MCP, LR
	5	7.7	CIEI-CENP005-P4-1	NEMA 1, 5 HP 460 V, 1-PH, Upsized VFD, MCP, LR
	7.5	12	CIEI-CENP007-P4-1	NEMA 1, 7.5 HP 460 V, 1-PH, Upsized VFD, MCP, LR
	10	16	CIEI-CENP010-P4-1	NEMA 1, 10 HP 460 V, 1-PH, Upsized VFD, MCP, LR
	15	24	CIEI-CENP015-P4-1	NEMA 1, 15 HP 460 V, 1-PH, Upsized VFD, MCP, LR
460 V, 3-Phase	20	28.7	CIEI-CENP020-P4-1	NEMA 1, 20 HP 460 V, 1-PH, Upsized VFD, MCP, LR
	25	35.8	CIEI-CENP025-P4-1	NEMA 1, 25 HP 460 V, 1-PH, Upsized VFD, MCP, LR
	30	42.3	CIEI-CENP030-P4-1	NEMA 1, 30 HP 460 V, 1-PH, Upsized VFD, MCP, LR
	40	55	CIEI-CENP040-P4-1	NEMA 1, 40 HP 460 V, 1-PH, Upsized VFD, MCP, LR
	50	71.4	CIEI-CENP050-P4-1	NEMA 1, 50 HP 460 V, 1-PH, Upsized VFD, MCP, LR
	60	82.5	CIEI-CENP060-P4-1	NEMA 1, 60 HP 460 V, 1-PH, Upsized VFD, MCP, LR
	2	4	CIEI-CENP002-P4-3	NEMA 1, 2 HP 460 V, 3-PH, Upsized VFD, MCP, LR
	3	6	CIEI-CENP003-P4-3	NEMA 1, 3 HP 460 V, 3-PH, Upsized VFD, MCP, LR
5	9.6	CIEI-CENP005-P4-3	NEMA 1, 5 HP 460 V, 3-PH, Upsized VFD, MCP, LR	
7.5	13	CIEI-CENP007-P4-3	NEMA 1, 7.5 HP 460 V, 3-PH, Upsized VFD, MCP, LR	
10	14	CIEI-CENP010-P4-3	NEMA 1, 10 HP 460 V, 3-PH, Upsized VFD, MCP, LR	
15	24	CIEI-CENP015-P4-3	NEMA 1, 15 HP 460 V, 3-PH, Upsized VFD, MCP, LR	
20	30	CIEI-CENP020-P4-3	NEMA 1, 20 HP 460 V, 3-PH, Upsized VFD, MCP, LR	
25	39	CIEI-CENP025-P4-3	NEMA 1, 25 HP 460 V, 3-PH, Upsized VFD, MCP, LR	
30	45	CIEI-CENP030-P4-3	NEMA 1, 30 HP 460 V, 3-PH, Upsized VFD, MCP, LR	
40	55	CIEI-CENP040-P4-3	NEMA 1, 40 HP 460 V, 3-PH, Upsized VFD, MCP, LR	
50	65	CIEI-CENP050-P4-3	NEMA 1, 50 HP 460 V, 3-PH, Upsized VFD, MCP, LR	
60	77	CIEI-CENP060-P4-3	NEMA 1, 60 HP 460 V, 3-PH, Upsized VFD, MCP, LR	
75	100	CIEI-CENP075-P4-3	NEMA 1, 75 HP 460 V, 3-PH, Upsized VFD, MCP, LR	
100	130	CIEI-CENP100-P4-3	NEMA 1, 100 HP 460 V, 3-PH, Upsized VFD, MCP, LR	
125	165	CIEI-CENP125-P4-3	NEMA 1, 125 HP 460 V, 3-PH, Upsized VFD, MCP, LR	

P-SERIES VFD ENCLOSED - ORDERING & SIZING INFORMATION

NEMA 3R LARGE DRIVE SUBMERSIBLES (COMBINATION)

Single-Phase & Three-Phase (200-230 V, 480 V), UL/NEMA 3R Enclosure

Voltage	HP	Max Amps	Model No.	Description
200-230 V, 1-Phase	3	11	CIE3R-SUBP003-P2-1	N3R, 3 HP, 230 V, 1-PH Enclosed VFD, MCCB, LR
	5	16	CIE3R-SUBP005-P2-1	N3R, 5 HP, 230 V, 1-PH Enclosed VFD, MCCB, LR
	7.5	24	CIE3R-SUBP007-P2-1	N3R, 7 HP, 230 V, 1-PH Enclosed VFD, MCCB, LR
	10	32	CIE3R-SUBP010-P2-1 (230 V Only)	N3R, 10 HP, 230 V, 1-PH Enclosed VFD, MCCB, LR
	15	45	CIE3R-SUBP015-P2-1 (230 V Only)	N3R, 15 HP, 230 V, 1-PH Enclosed VFD, MCCB, LR
	20	60	CIE3R-SUBP020-P2-1 (230 V Only)	N3R, 20 HP, 230 V, 1-PH Enclosed VFD, MCCB, LR
200-230 V, 3-Phase	3	12	CIE3R-SUBP003-P2-3	N3R, 3 HP, 230 V, 3-PH Enclosed VFD, MCCB, LR
	5	20	CIE3R-SUBP005-P2-3	N3R, 5 HP, 230 V, 3-PH Enclosed VFD, MCCB, LR
	7.5	30	CIE3R-SUBP007-P2-3	N3R, 7.5 HP, 230 V, 3-PH Enclosed VFD, MCCB, LR
	10	40	CIE3R-SUBP010-P2-3	N3R, 10 HP, 230 V, 3-PH Enclosed VFD, MCCB, LR
	15	55	CIE3R-SUBP015-P2-3	N3R, 15 HP, 230 V, 3-PH Enclosed VFD, MCCB, LR
	20	74	CIE3R-SUBP020-P2-3	N3R, 20 HP, 230 V, 3-PH Enclosed VFD, MCCB, LR
	25	85	CIE3R-SUBP025-P2-3	N3R, 25 HP, 230 V, 3-PH Enclosed VFD, MCCB, LR
480 V, 1-Phase	3	5.2	CIE3R-SUBP003-P4-1	N3R, 3 HP, 460 V, 1-PH Enclosed VFD, MCCB, LR, OR
	5	8	CIE3R-SUBP005-P4-1	N3R, 5 HP, 460 V, 1-PH Enclosed VFD, MCCB, LR, OR
	7.5	12	CIE3R-SUBP007-P4-1	N3R, 7 HP, 460 V, 1-PH Enclosed VFD, MCCB, LR, OR
	10	18	CIE3R-SUBP010-P4-1	N3R, 10 HP, 460 V, 1-PH Enclosed VFD, MCCB, LR, OF
	15	24	CIE3R-SUBP015-P4-1	N3R, 15 HP, 460 V, 1-PH Enclosed VFD, MCCB, LR, OF
	20	30	CIE3R-SUBP020-P4-1	N3R, 20 HP, 460 V, 1-PH Enclosed VFD, MCCB, LR, OF
	25	35.7	CIE3R-SUBP025-P4-1	N3R, 25 HP, 460 V, 1-PH Enclosed VFD, MCCB, LR, OF
	30	45	CIE3R-SUBP030-P4-1	N3R, 30 HP, 460 V, 1-PH Enclosed VFD, MCCB, LR, OF
	40	60.4	CIE3R-SUBP040-P4-1	N3R, 40 HP, 460 V, 1-PH Enclosed VFD, MCCB, LR, OF
	50	75	CIE3R-SUBP050-P4-1	N3R, 50 HP, 460 V, 1-PH Enclosed VFD, MCCB, LR, OF
	60	90.6	CIE3R-SUBP060-P4-1	N3R, 60 HP, 460 V, 1-PH Enclosed VFD, MCCB, LR, OF
	75	101	CIE3R-SUBP075-P4-1	N3R, 75 HP, 460 V, 1-PH Enclosed VFD, MCCB, LR, OF
	100	131	CIE3R-SUBP100-P4-1	N3R, 100 HP, 460 V, 1-PH Enclosed VFD, MCCB, LR, OF
	125	178	CIE3R-SUBP125-P4-1	N3R, 125 HP, 460 V, 1-PH Enclosed VFD, MCCB, LR, OF
150	203	CIE3R-SUBP150-P4-1	N3R, 150 HP, 460 V, 1-PH Enclosed VFD, MCCB, LR, OF	
480 V, 3-Phase	3	6	CIE3R-SUBP003-P4-3	N3R, 3 HP, 460 V, 3-PH Enclosed VFD, MCCB, LR, OF
	5	9.6	CIE3R-SUBP005-P4-3	N3R, 5 HP, 460 V, 3-PH Enclosed VFD, MCCB, LR, OF
	7.5	13.3	CIE3R-SUBP007-P4-3	N3R, 7.5 HP, 460 V, 3-PH Enclosed VFD, MCCB, LR, OF
	10	18	CIE3R-SUBP010-P4-3	N3R, 10 HP, 460 V, 3-PH Enclosed VFD, MCCB, LR, OF
	15	25	CIE3R-SUBP015-P4-3	N3R, 15 HP, 460 V, 3-PH Enclosed VFD, MCCB, LR, OF
	20	30	CIE3R-SUBP020-P4-3	N3R, 20 HP, 460 V, 3-PH Enclosed VFD, MCCB, LR, OF
	25	40	CIE3R-SUBP025-P4-3	N3R, 25 HP, 460 V, 3-PH Enclosed VFD, MCCB, LR, OF
	30	45	CIE3R-SUBP030-P4-3	N3R, 30 HP, 460 V, 3-PH Enclosed VFD, MCCB, LR, OF
	40	65	CIE3R-SUBP040-P4-3	N3R, 40 HP, 460 V, 3-PH Enclosed VFD, MCCB, LR, OF
	50	77	CIE3R-SUBP050-P4-3	N3R, 50 HP, 460 V, 3-PH Enclosed VFD, MCCB, LR, OF
	60	93	CIE3R-SUBP060-P4-3	N3R, 60 HP, 460 V, 3-PH Enclosed VFD, MCCB, LR, OF
	75	110	CIE3R-SUBP075-P4-3	N3R, 75 HP, 460 V, 3-PH Enclosed VFD, MCCB, LR, OF
	100	150	CIE3R-SUBP100-P4-3	N3R, 100 HP, 460 V, 3-PH Enclosed VFD, MCCB, LR, OF
	125	185	CIE3R-SUBP125-P4-3	N3R, 125 HP, 460 V, 3-PH Enclosed VFD, MCCB, LR, OF
150	230	CIE3R-SUBP150-P4-3	N3R, 150 HP, 460 V, 3-PH Enclosed VFD, MCCB, LR, OF	
200	300	CIE3R-SUBP200-P4-3	N3R, 200 HP, 460 V, 3-PH Enclosed VFD, MCCB, LR, OF	

NOTE: Phase refers to incoming power, not motor. The drive MUST BE sized according to the motor manufacturer's maximum amperage draw. Upsize VFD for ambient temperature compensation (see VFD specs for temperature rating). If 3-Phase open delta power source, consult the hotline for further sizing information.

P-SERIES VFD ENCLOSED - ORDERING & SIZING INFORMATION

NEMA 3R LARGE DRIVE SURFACE (COMBINATION)

Single-Phase & Three-Phase (200-230 V, 480 V), UL/NEMA 3R Enclosure

Voltage	HP	Max Amps	Model No.	Description
208 V 1-Phase	3	10.4	CIE3R-CENP003-P2-1	NEMA 3R, 3 HP, 230 V/1-PH Upsized VFD, MCCB, LR
	5	17.6	CIE3R-CENP005-P2-1	NEMA 3R, 5 HP, 230 V/1-PH Upsized VFD, MCCB, LR
	7.5	24	CIE3R-CENP007-P2-1	NEMA 3R, 7.5 HP, 230 V/1-PH Upsized VFD, MCCB, LR
	10	32	CIE3R-CENP010-P2-1	NEMA 3R, 10 HP, 230 V/1-PH Upsized VFD, MCCB, LR
	15	44	CIE3R-CENP015-P2-1	NEMA 3R, 15 HP, 230 V/1-PH Upsized VFD, MCCB, LR
	20	54.9	CIE3R-CENP020-P2-1	NEMA 3R, 20 HP, 230 V/1-PH Upsized VFD, MCCB, LR
230 V 3-Phase	3	12	CIE3R-CENP003-P2-3	NEMA 3R, 3 HP, 230 V/3-PH Upsized VFD, MCCB, LR
	5	19	CIE3R-CENP005-P2-3	NEMA 3R, 5 HP, 230 V/3-PH Upsized VFD, MCCB, LR
	7	30	CIE3R-CENP007-P2-3	NEMA 3R, 7 HP, 230 V/3-PH Upsized VFD, MCCB, LR
	10	34	CIE3R-CENP010-P2-3	NEMA 3R, 10 HP, 230 V/3-PH Upsized VFD, MCCB, LR
	15	50	CIE3R-CENP015-P2-3	NEMA 3R, 15 HP, 230 V/3-PH Upsized VFD, MCCB, LR
	20	62	CIE3R-CENP020-P2-3	NEMA 3R, 20 HP, 230 V/3-PH Upsized VFD, MCCB, LR
	25	80	CIE3R-CENP025-P2-3	NEMA 3R, 25 HP, 230 V/3-PH Upsized VFD, MCCB, LR
	30	100	CIE3R-CENP030-P2-3	NEMA 3R, 30 HP, 230 V/3-PH Upsized VFD, MCCB, LR
480 V 1-Phase	3	5.2	CIE3R-CENP003-P4-1	NEMA 3R, 3 HP, 460 V/1-PH Upsized VFD, MCCB, LR
	5	7.7	CIE3R-CENP005-P4-1	NEMA 3R, 5 HP, 460 V/1-PH Upsized VFD, MCCB, LR
	7	12	CIE3R-CENP007-P4-1	NEMA 3R, 7 HP, 460 V/1-PH Upsized VFD, MCCB, LR
	10	16	CIE3R-CENP010-P4-1	NEMA 3R, 10 HP, 460 V/1-PH Upsized VFD, MCCB, LR
	15	24	CIE3R-CENP015-P4-1	NEMA 3R, 15 HP, 460 V/1-PH Upsized VFD, MCCB, LR
	20	27.4	CIE3R-CENP020-P4-1	NEMA 3R, 20 HP, 460 V/1-PH Upsized VFD, MCCB, LR
	25	35.7	CIE3R-CENP025-P4-1	NEMA 3R, 25 HP, 460 V/1-PH Upsized VFD, MCCB, LR
	30	42.3	CIE3R-CENP030-P4-1	NEMA 3R, 30 HP, 460 V/1-PH Upsized VFD, MCCB, LR
	40	55	CIE3R-CENP040-P4-1	NEMA 3R, 40 HP, 460 V/1-PH Upsized VFD, MCCB, LR
	50	71.4	CIE3R-CENP050-P4-1	NEMA 3R, 50 HP, 460 V/1-PH Upsized VFD, MCCB, LR
	60	82.4	CIE3R-CENP060-P4-1	NEMA 3R, 60 HP, 460 V/1-PH Upsized VFD, MCCB, LR
	75	96.1	CIE3R-CENP075-P4-1	NEMA 3R, 75 HP, 460 V/1-PH Upsized VFD, MCCB, LR
	100	126	CIE3R-CENP100-P4-1	NEMA 3R, 100 HP, 460 V/1-PH Upsized VFD, MCCB, LR
	125	164	CIE3R-CENP125-P4-1	NEMA 3R, 125 HP, 460 V/1-PH Upsized VFD, MCCB, LR
150	186	CIE3R-CENP150-P4-1	NEMA 3R, 150 HP, 460 V/1-PH Upsized VFD, MCCB, LR	
200	252	CIE3R-CENP200-P4-1	NEMA 3R, 200 HP, 460 V/1-PH Upsized VFD, MCCB, LR	
480 V 3-Phase	3	6	CIE3R-CENP003-P4-3	NEMA 3R, 3 HP, 460 V/3-PH Upsized VFD, MCCB, LR
	5	9.6	CIE3R-CENP005-P4-3	NEMA 3R, 5 HP, 460 V/3-PH Upsized VFD, MCCB, LR
	7	13.3	CIE3R-CENP007-P4-3	NEMA 3R, 7 HP, 460 V/3-PH Upsized VFD, MCCB, LR
	10	14	CIE3R-CENP010-P4-3	NEMA 3R, 10 HP, 460 V/3-PH Upsized VFD, MCCB, LR
	15	26.6	CIE3R-CENP015-P4-3	NEMA 3R, 15 HP, 460 V/3-PH Upsized VFD, MCCB, LR
	20	30	CIE3R-CENP020-P4-3	NEMA 3R, 20 HP, 460 V/3-PH Upsized VFD, MCCB, LR
	25	40	CIE3R-CENP025-P4-3	NEMA 3R, 25 HP, 460 V/3-PH Upsized VFD, MCCB, LR
	30	45	CIE3R-CENP030-P4-3	NEMA 3R, 30 HP, 460 V/3-PH Upsized VFD, MCCB, LR
	40	55	CIE3R-CENP040-P4-3	NEMA 3R, 40 HP, 460 V/3-PH Upsized VFD, MCCB, LR
	50	65	CIE3R-CENP050-P4-3	NEMA 3R, 50 HP, 460 V/3-PH Upsized VFD, MCCB, LR
	60	77	CIE3R-CENP060-P4-3	NEMA 3R, 60 HP, 460 V/3-PH Upsized VFD, MCCB, LR
	75	110	CIE3R-CENP075-P4-3	NEMA 3R, 75 HP, 460 V/3-PH Upsized VFD, MCCB, LR
	100	130	CIE3R-CENP100-P4-3	NEMA 3R, 100 HP, 460 V/3-PH Upsized VFD, MCCB, LR
	125	165	CIE3R-CENP125-P4-3	NEMA 3R, 125 HP, 460 V/3-PH Upsized VFD, MCCB, LR
150	185	CIE3R-CENP150-P4-3	NEMA 3R, 150 HP, 460 V/3-PH Upsized VFD, MCCB, LR	
200	240	CIE3R-CENP200-P4-3	NEMA 3R, 200 HP, 460 V/3-PH Upsized VFD, MCCB, LR	

NOTE: If 3-phase open delta power source, consult the hotline for further sizing information.

P-SERIES VFD ENCLOSED - ORDERING & SIZING INFORMATION

NEMA 3R LARGE DRIVE SUBMERSIBLES (COMBINATION)

Three-Phase (600 V) UL/NEMA 3R Enclosure

Voltage	HP	Max Amps	Model No.	Description
600 V, 3-Phase	2	3.3	CIE3R-SUBP002-P6-3	N3R, 2 HP, 575 V, 3-PH Enclosed Upsized VFD, MCCB, LR, OF
	3	6	CIE3R-SUBP003-P6-3	N3R, 3 HP, 575 V, 3-PH Enclosed Upsized VFD, MCCB, LR, OF
	5	7	CIE3R-SUBP005-P6-3	N3R, 5 HP, 575 V, 3-PH Enclosed Upsized VFD, MCCB, LR, OF
	7.5	11	CIE3R-SUBP007-P6-3	N3R, 7.5 HP, 575 V, 3-PH Enclosed Upsized VFD, MCCB, LR, OF
	10	16	CIE3R-SUBP010-P6-3	N3R, 10 HP, 575 V, 3-PH Enclosed Upsized VFD, MCCB, LR, OF
	15	19.5	CIE3R-SUBP015-P6-3	N3R, 15 HP, 575 V, 3-PH Enclosed Upsized VFD, MCCB, LR, OF
	20	24	CIE3R-SUBP020-P6-3	N3R, 20 HP, 575 V, 3-PH Enclosed Upsized VFD, MCCB, LR, OF
	25	30	CIE3R-SUBP025-P6-3	N3R, 25 HP, 575 V, 3-PH Enclosed Upsized VFD, MCCB, LR, OF
	30	41	CIE3R-SUBP030-P6-3	N3R, 30 HP, 575 V, 3-PH Enclosed Upsized VFD, MCCB, LR, OF
	40	52	CIE3R-SUBP040-P6-3	N3R, 40 HP, 575 V, 3-PH Enclosed Upsized VFD, MCCB, LR, OF
	50	62	CIE3R-SUBP050-P6-3	N3R, 50 HP, 575 V, 3-PH Enclosed Upsized VFD, MCCB, LR, OF
	60	77	CIE3R-SUBP060-P6-3	N3R, 60 HP, 575 V, 3-PH Enclosed Upsized VFD, MCCB, LR, OF
	75	99	CIE3R-SUBP075-P6-3	N3R, 75 HP, 575 V, 3-PH Enclosed Upsized VFD, MCCB, LR, OF
	100	125	CIE3R-SUBP100-P6-3	N3R, 100 HP, 575 V, 3-PH Enclosed Upsized VFD, MCCB, LR, OF
125	150	CIE3R-SUBP125-P6-3	N3R, 125 HP, 575 V, 3-PH Enclosed Upsized VFD, MCCB, LR, OF	

NOTE: Phase refers to incoming power, not motor. The drive MUST BE sized according to the motor manufacturer's maximum amperage draw. Upsize VFD for ambient temperature compensation (see VFD specs for temperature rating).

NEMA 3R LARGE DRIVE SURFACE (COMBINATION)

Three-Phase (600 V) UL/NEMA 3R Enclosure

Voltage	HP	Max Amps	Model No.	Description
600 V, 3 Phase	2	3.3	CIE3R-CENP002-P6-3	N3R, 2 HP, 575 V, 3-PH Enclosed Upsized VFD, MCCB, LR, OR
	3	5	CIE3R-CENP003-P6-3	N3R, 3 HP, 575 V, 3-PH Enclosed Upsized VFD, MCCB, LR, OR
	5	7	CIE3R-CENP005-P6-3	N3R, 5 HP, 575 V, 3-PH Enclosed Upsized VFD, MCCB, LR, OR
	7.5	10.4	CIE3R-CENP007-P6-3	N3R, 7.5 HP, 575 V, 3-PH Enclosed Upsized VFD, MCCB, LR, OR
	10	11	CIE3R-CENP010-P6-3	N3R, 10 HP, 575 V, 3-PH Enclosed Upsized VFD, MCCB, LR, OR
	15	19.5	CIE3R-CENP015-P6-3	N3R, 15 HP, 575 V, 3-PH Enclosed Upsized VFD, MCCB, LR, OR
	20	24	CIE3R-CENP020-P6-3	N3R, 20 HP, 575 V, 3-PH Enclosed Upsized VFD, MCCB, LR, OR
	25	30	CIE3R-CENP025-P6-3	N3R, 25 HP, 575 V, 3-PH Enclosed Upsized VFD, MCCB, LR, OR
	30	32	CIE3R-CENP030-P6-3	N3R, 30 HP, 575 V, 3-PH Enclosed Upsized VFD, MCCB, LR, OR
	40	41	CIE3R-CENP040-P6-3	N3R, 40 HP, 575 V, 3-PH Enclosed Upsized VFD, MCCB, LR, OR
	50	52	CIE3R-CENP050-P6-3	N3R, 50 HP, 575 V, 3-PH Enclosed Upsized VFD, MCCB, LR, OR
	60	62	CIE3R-CENP060-P6-3	N3R, 60 HP, 575 V, 3-PH Enclosed Upsized VFD, MCCB, LR, OR
	75	77	CIE3R-CENP075-P6-3	N3R, 75 HP, 575 V, 3-PH Enclosed Upsized VFD, MCCB, LR, OR
	100	99	CIE3R-CENP100-P6-3	N3R, 100 HP, 575 V, 3-PH Enclosed Upsized VFD, MCCB, LR, OR
125	125	CIE3R-CENP125-P6-3	N3R, 125 HP, 575 V, 3-PH Enclosed Upsized VFD, MCCB, LR, OR	

NOTE: Phase refers to incoming power, not motor. The drive MUST BE sized according to the motor manufacturer's maximum amperage draw. Upsize VFD for ambient temperature compensation (see VFD specs for temperature rating).

NEMA 3R LARGE DRIVE OPTIONS

Model No.	Description
VFD-FPL	Fault Pilot Light (Red Standard)
VFD-KPD-3R	External Keypad with Clear Cover (Type 3R Rated)
VFD-KPD-4X	Door Mounted Keypad with Type 4X Cover
VFD-KPD	Door Mounted Keypad
VFD-RPL	Run Pilot Light (Green Standard)
VFD-SPD	Door Mounted Speed Potentiometer
PSIG-100-20FT	Transducer (Gauge Pressure), 100 PSIG 4-20 mA, +/-0.5% accy
PSIG-200-20FT	Transducer (Gauge Pressure), 200 PSIG 4-20 mA, +/-0.5% accy
PSIG-300-20FT	Transducer (Gauge Pressure), 300 PSIG 4-20 mA, +/-0.5% accy

P-SERIES VFD ENCLOSED - DIMENSIONS

NEMA 3R LARGE DRIVE SUBMERSIBLES

Model No.	H	W	D
CIE3R-SUBP003-P2-1	33	22	12
CIE3R-SUBP005-P2-1			
CIE3R-SUBP007-P2-1			
CIE3R-SUBP010-P2-1	38	25	12
CIE3R-SUBP015-P2-1	43	25	12
CIE3R-SUBP020-P2-1			
CIE3R-SUBP003-P2-3	33	22	12
CIE3R-SUBP005-P2-3			
CIE3R-SUBP007-P2-3			
CIE3R-SUBP010-P2-3	38	25	12
CIE3R-SUBP015-P2-3			
CIE3R-SUBP020-P2-3			
CIE3R-SUBP030-P2-3	43	25	12
CIE3R-SUBP003-P4-1			
CIE3R-SUBP005-P4-1	33	22	12
CIE3R-SUBP007-P4-1			
CIE3R-SUBP010-P4-1	38	25	12
CIE3R-SUBP015-P4-1	43	25	12
CIE3R-SUBP020-P4-1			

Model No.	H	W	D
CIE3R-SUBP025-P4-1	48	30	16
CIE3R-SUBP030-P4-1			
CIE3R-SUBP040-P4-1			
CIE3R-SUBP050-P4-1	53	35	16
CIE3R-SUBP060-P4-1			
CIE3R-SUBP075-P4-1	60	60	24
CIE3R-SUBP100-P4-1			
CIE3R-SUBP125-P4-1			
CIE3R-SUBP150-P4-1	72	60	24
CIE3R-SUBP200-P4-1			
CIE3R-SUBP003-P4-3	33	22	12
CIE3R-SUBP005-P4-3			
CIE3R-SUBP007-P4-3			
CIE3R-SUBP010-P4-3	38	25	12
CIE3R-SUBP015-P4-3			
CIE3R-SUBP020-P4-3			
CIE3R-SUBP025-P4-3	43	25	12
CIE3R-SUBP030-P4-3			
CIE3R-SUBP040-P4-3	48	30	16
CIE3R-SUBP050-P4-3			
CIE3R-SUBP060-P4-3			

Model No.	H	W	D
CIE3R-SUBP075-P4-3	53	35	16
CIE3R-SUBP100-P4-3			
CIE3R-SUBP125-P4-3	60	60	24
CIE3R-SUBP150-P4-3			
CIE3R-SUBP200-P4-3			
CIE3R-SUBP250-P4-3	72	60	24
CIE3R-SUBP300-P4-3			
CIE3R-SUBP350-P4-3	33	22	12
CIE3R-SUBP002-P6-3			
CIE3R-SUBP003-P6-3			
CIE3R-SUBP005-P6-3	38	25	12
CIE3R-SUBP007-P6-3			
CIE3R-SUBP010-P6-3			
CIE3R-SUBP015-P6-3	43	25	12
CIE3R-SUBP020-P6-3			
CIE3R-SUBP025-P6-3	48	30	16
CIE3R-SUBP030-P6-3			
CIE3R-SUBP040-P6-3	53	35	16
CIE3R-SUBP050-P6-3			
CIE3R-SUBP060-P6-3			
CIE3R-SUBP075-P6-3	60	60	24
CIE3R-SUBP100-P6-3			
CIE3R-SUBP125-P6-3			

NEMA 3R LARGE DRIVE CENTRIFUGALS

Model No.	H	W	D
CIE3R-CENP003-P2-1	33	22	12
CIE3R-CENP005-P2-1			
CIE3R-CENP007-P2-1			
CIE3R-CENP010-P2-1	38	25	12
CIE3R-CENP015-P2-1	43	25	12
CIE3R-CENP020-P2-1			
CIE3R-CENP003-P2-3	33	22	12
CIE3R-CENP005-P2-3			
CIE3R-CENP007-P2-3			
CIE3R-CENP010-P2-3	38	25	12
CIE3R-CENP015-P2-3			
CIE3R-CENP020-P2-3			
CIE3R-CENP030-P2-3	43	25	12
CIE3R-CENP003-P4-1			
CIE3R-CENP005-P4-1	33	22	12
CIE3R-CENP007-P4-1			
CIE3R-CENP010-P4-1	38	25	12
CIE3R-CENP015-P4-1	43	25	12
CIE3R-CENP020-P4-1			

Model No.	H	W	D
CIE3R-CENP025-P4-1	48	30	16
CIE3R-CENP030-P4-1			
CIE3R-CENP040-P4-1			
CIE3R-CENP050-P4-1	53	35	16
CIE3R-CENP060-P4-1			
CIE3R-CENP075-P4-1	60	60	24
CIE3R-CENP100-P4-1			
CIE3R-CENP125-P4-1			
CIE3R-CENP150-P4-1	72	60	24
CIE3R-CENP200-P4-1			
CIE3R-CENP003-P4-3	33	22	12
CIE3R-CENP005-P4-3			
CIE3R-CENP007-P4-3			
CIE3R-CENP010-P4-3	38	25	12
CIE3R-CENP015-P4-3			
CIE3R-CENP020-P4-3			
CIE3R-CENP025-P4-3	43	25	12
CIE3R-CENP030-P4-3			
CIE3R-CENP040-P4-3	48	30	16
CIE3R-CENP050-P4-3			
CIE3R-CENP060-P4-3			

Model No.	H	W	D
CIE3R-CENP075-P4-3	53	35	16
CIE3R-CENP100-P4-3			
CIE3R-CENP125-P4-3	60	60	24
CIE3R-CENP150-P4-3			
CIE3R-CENP200-P4-3			
CIE3R-CENP250-P4-3	72	60	24
CIE3R-CENP300-P4-3			
CIE3R-CENP350-P4-3	33	22	12
CIE3R-CENP002-P6-3			
CIE3R-CENP003-P6-3			
CIE3R-CENP005-P6-3	38	25	12
CIE3R-CENP007-P6-3			
CIE3R-CENP010-P6-3			
CIE3R-CENP015-P6-3	43	25	12
CIE3R-CENP020-P6-3			
CIE3R-CENP025-P6-3	48	30	16
CIE3R-CENP030-P6-3			
CIE3R-CENP040-P6-3	53	35	16
CIE3R-CENP050-P6-3			
CIE3R-CENP060-P6-3			
CIE3R-CENP075-P6-3	60	60	24
CIE3R-CENP100-P6-3			
CIE3R-CENP125-P6-3			

